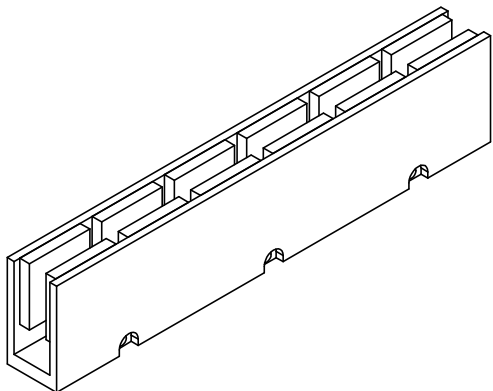
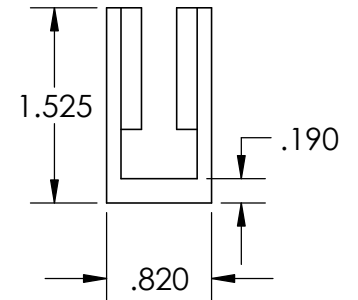
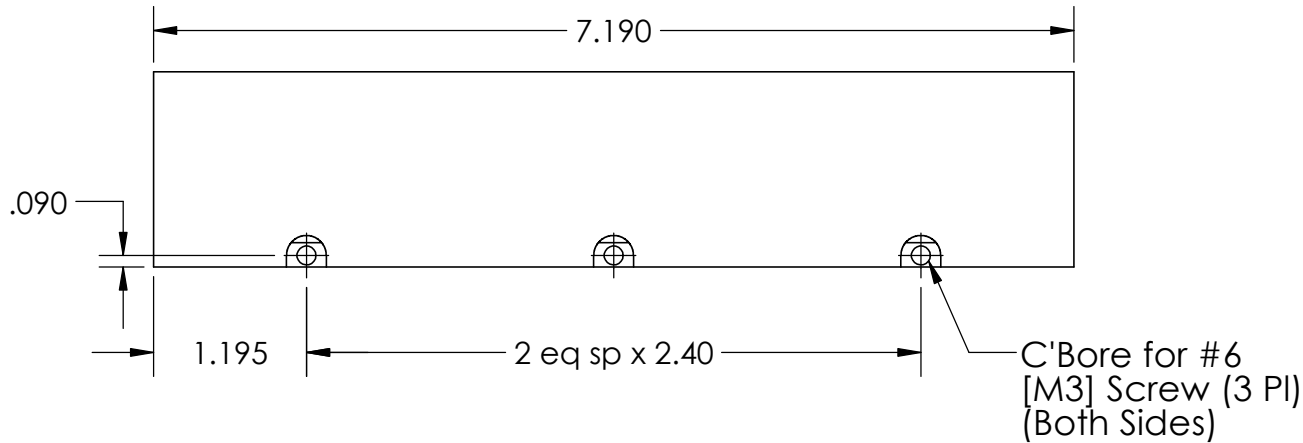
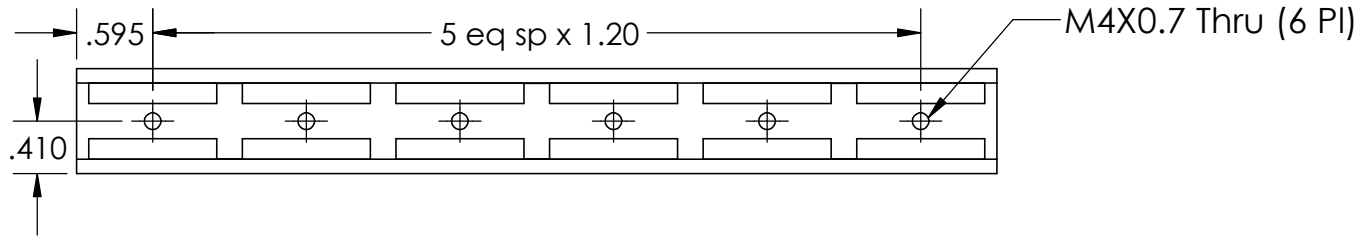


These drawings and specifications are the property of H2W Technologies, Inc. They are issued in confidence and shall not be reproduced, copied, or used without written permission from H2W Technologies, Inc. (www.h2wtech.com)

REVISION TABLE					
REV	ECN#	DESCRIPTION	REV BY	APPROVED	DATE
---	---	Original Drawing	SDC	MPW	03-20-15



UNLESS SPECIFIED OTHERWISE: All dimensions are in inches Standard Tolerances are as follows .XXX ±.005 ANGLES ±1° .XX ±.010 FILLETS .010 .X ±.020 CORNERS .010 Remove All Burs and Sharp Edges				MATERIAL		TITLE	
				FINISH		Ironless Magnet Track Model #:BLDT-B07	
DRAWN	DATE	APPROVED	DATE	DWG #	REV	SHEET	
SDC	03-20-15	MPW	03-20-15	20-0184	---	1 of 1	



**H2W Technologies, Inc.**  
26380 Ferry Court Santa Clarita, CA 91350 USA  
Tel: (661) 291-1620 Fax: (661) 291-1626  
www.h2wtech.com